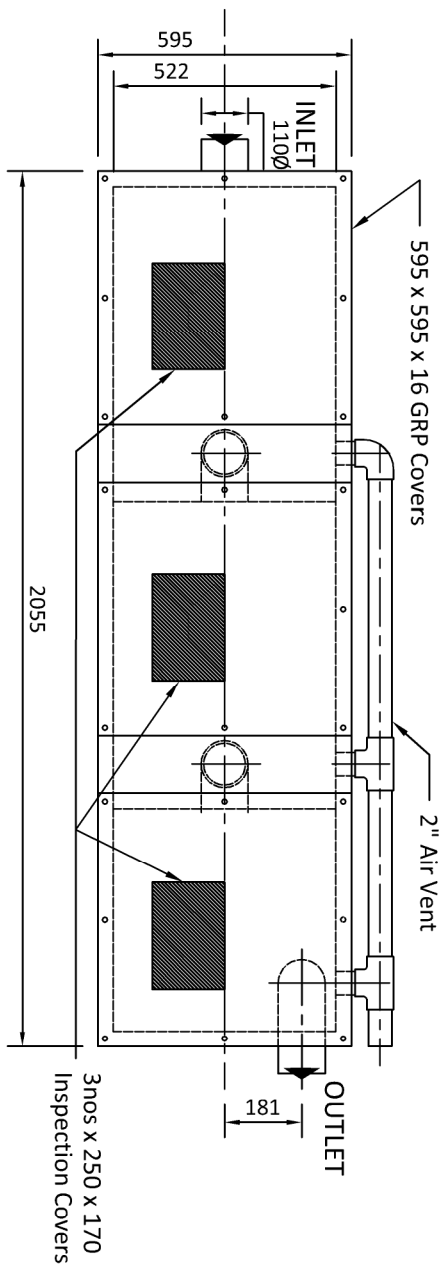
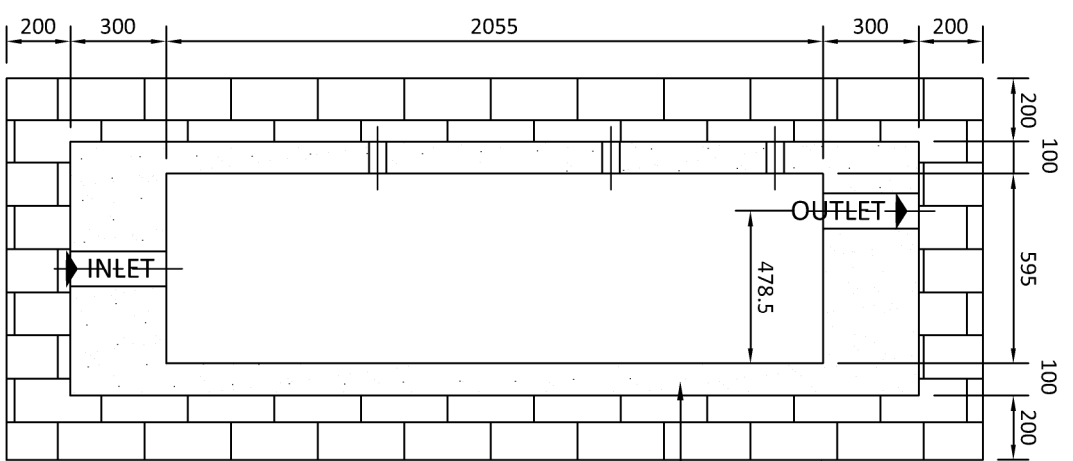


**ELEVATION**



**PLAN**



**FIXING DETAIL**  
(Basement & Gr. Fir.)

**IMPORTANT NOTES:**

- ▶ Please contact DM Drainage Development & Control Section for depth from "FINISH FLOOR LEV TO INVERT LEV OF GREASE TRAP" exceeding above limits set by DM, for proper guidance and to resolve problems PRIOR TO EXECUTION.
- ▶ ONLY ONE INLET ALLOWED

**MATERIAL:**  
8mm Thick PVC Sheets

DRAWINGS NOT TO SCALE • ALL DIMENSIONS ARE IN mm UNLESS OTHERWISE SPECIFIED • DIMENSIONS SUBJECT TO CHANGE WITHOUT NOTICE



العسم للخدمات الميكانيكية (ش.م.ذ.ع.م)  
**Al Asam Mechanical Services (L.L.C.)**

T: +971 4 333 1628 • E: [al.asam.dubai@gmail.com](mailto:al.asam.dubai@gmail.com)

**PLASTICS FABRICATORS**  
Specialists in

PVC, ABS, PE, PP & GRP Fabrications

**PRODUCT:**

**PVC Grease Trap Type "C"**

(Roughing-in Dimensions)



**دولة الإمارات العربية المتحدة**  
**DUBAI MUNICIPALITY**  
DRAINAGE & IRRIGATION DEPARTMENT  
DRAINAGE DEVELOPMENT & CONTROL SECTION

**DATE ISSUED:**  
09 SEP 2013

**2 101.30A**